

# INSTALLATION AND OPERATION INSTRUCTIONS 3200 SERIES

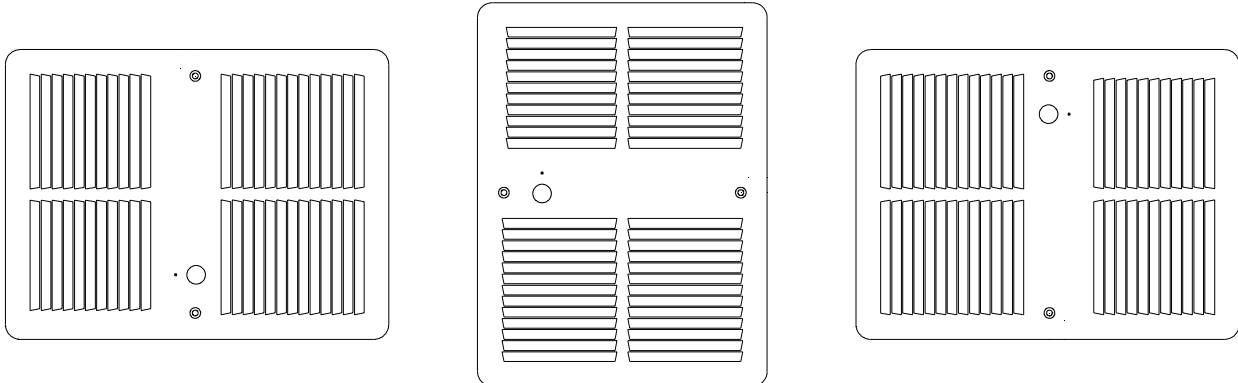
SAVE THESE INSTRUCTIONS

## INSTALLATION INSTRUCTIONS



TPI Corporation  
P.O. Box 4973  
Johnson City, TN  
37602-4973

America's Comfort Conditioning Company



**Caution:** To prevent electric shock disconnect power to heater at main service before wiring or service.

**Caution:** Do not obstruct the front of the heater with curtains, furniture, doors, etc. Do not place heaters under towel racks. Proper operation of the heater requires a free flow intake and exhaust of air.

### GENERAL

These heaters are designed for 2 X 4 recessed or surface mount installation. The 3200 series heaters may be wall mounted in a vertical position with top discharge, or horizontal position with right or left discharge. The minimum clearance for the 3200 series is 12 inches to the adjacent wall and 6 inches minimum from the floor. These heaters must not be installed without wallbox model no. BOX 30WB.

### INSTALLATION OF WALL BOX 30WB FOR NEW CONSTRUCTION

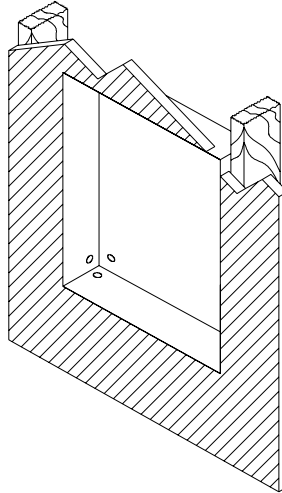
1. Position the wall box, maintaining minimum clearances as stated above. Secure to wall stud with nails or screws. Wall box must be installed with front edge flush with finished wall surface. See figure 1.
2. Remove knockout in wall box for power source, and install cable clamp.
3. Insert supply cable through clamp allowing 6-8" for field wiring.

**NOTE:** Field wiring must enter the wall box on the left side of the fan end of the heater.

## INSTALLATION OF WALL BOX 30WB FOR EXISTING CONSTRUCTION

Carefully cut a hole measuring 9 1/4" wide by 12 1/4" long in wall. Wall box BOX4300 must be attached to a wall stud on one edge. Minimum clearances of 12 " to adjacent wall and 6" to floor must be maintained ces. Attach wall box and secure power cable as in new construction.

FIG. 1



**NOTE: IN THE VERTICAL POSITION THE HEATER CAN BE MOUNTED ONLY FOR TOP DISCHARGE. FIELD WIRING MUST ENTER THE BOTTOM ON THE LEFT SIDE OF THE HEATER.**

### INSTALLATION OF HEATER ASSEMBLY

1. Place heater into wall box and secure with the screws provided.
2. Connect power supply to heater pigtails with wire nuts or crimp terminals.

### INSTALLATION OF GRILLE AND KNOB

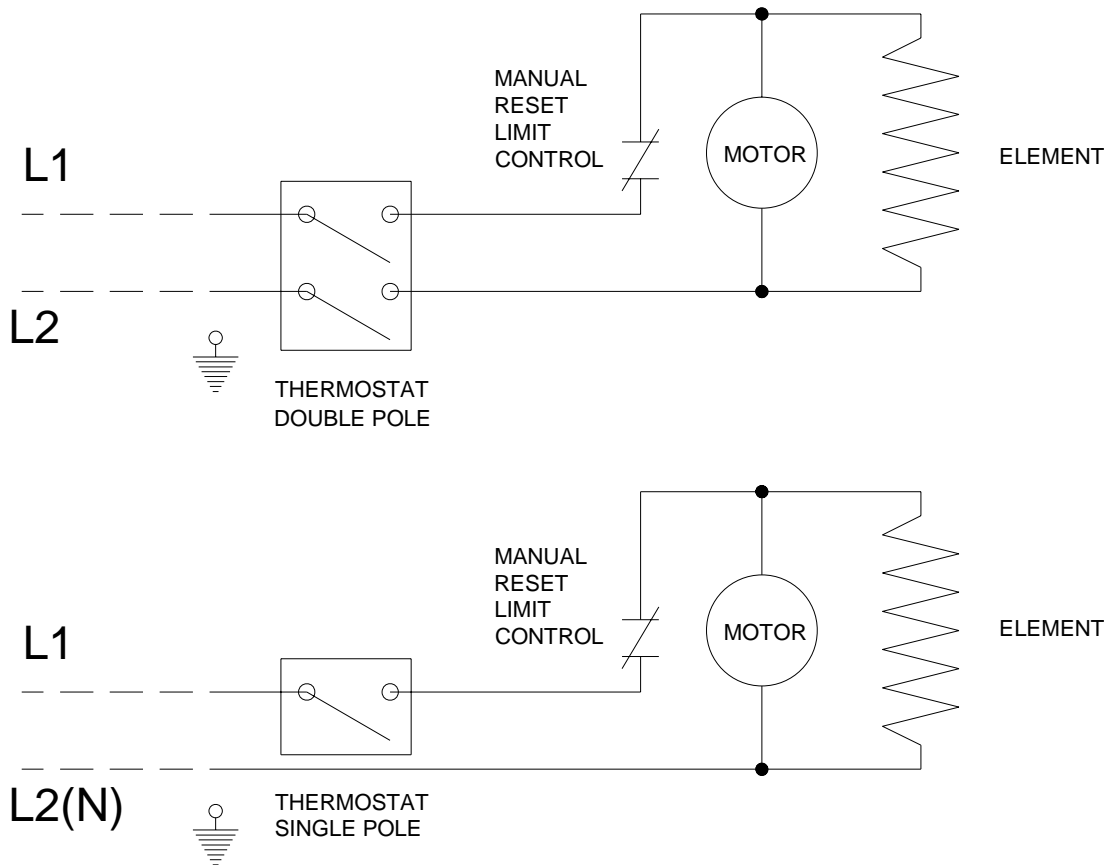
1. Place the two no. 8 oval head screws into grille mounting holes.
2. Align grille with heater and secure. Be careful not to over tighten .
3. To install knob, align flat of thermostat shaft with flat on knob. Push knob onto shaft until knob almost touches grille.
4. For tamper-resistant installation, set thermostat with knob, remove knob and replace with hole plug. Retain knob for future use.

### OPERATION

1. Turn on the power supply to heater.
2. Rotate thermostat knob fully clockwise.
3. Allow the room to reach desired temperature, then rotate thermostat knob counter clockwise until the heater de-energizes.
4. For remote thermostat operation, thermostat wiring must be the same size as power supply wiring.

**NOTE:** This heater is quipped with a manual reset limit control. Disconnect power at main source before reset button is pushed.

## WIRING SCHEMATICS



## MAINTENANCE AND CLEANING

The heater should be cleaned at least annually to prevent excess build-up of dirt and lint accumulated under normal operating conditions. In an unusually dirty environment the cleaning should be done more often. To clean the heater first DISCONNECT THE HEATER FROM THE MAIN POWER SOURCE.

Then remove the grille. Using a vacuum cleaner with soft brush attachment clean the fan blade and element of any accumulated dirt or lint. Be careful not to bend the petals of the blade. When the cleaning is finished, re-install the grille and restore power. **DO NOT OPERATE THE HEATER WITHOUT GRILLE.**