

MODEL CWD

DIRECT DRIVE CENTRIFUGAL SIDEWALL EXHAUSTER



APPLICATION

Models CWD are used to exhaust relatively clean air from a variety of industrial, commercial and institutional buildings such as machinery and equipment rooms, storage areas, office buildings, restaurants, retail stores, schools and similar buildings.

The nonoverloading centrifugal wheel with its high static pressure capability, makes it suitable for either ducted or nonducted applications.

The spun aluminum exterior provides a pleasing appearance, weather proof construction and resistance to corrosion. The low silhouette design is less noticeable on the building exterior and the removable dome provides easy access to the fan interior for service and cleaning.

Direct drive units use smaller diameter wheels, resulting in low sound levels and quiet operation. They have no belts or fan bearings to maintain or adjust and consequently require very little maintenance.

CONSTRUCTION

Housing

- Spun aluminum dome for weather protection and attractive appearance.
- Ventilated motor compartment with motor out of air stream for long trouble-free service.
- Dome easily removes for access to motor compartment.
- Weather-tight construction with aluminum birdscreen.
- Round duct connection provided at wheel inlet.

Centrifugal Wheel

- Nonoverloading backward inclined for safe operation in ducted systems.
- Statically and dynamically balanced for smooth, quiet operation.

Motors

- Speed controllable motors available on most models.
- Single speed open drip-proof are standard.
- Plug disconnect switch standard with single speed drip-proof motors.

DIMENSIONAL DATA

MODEL CWD	A	B	C	D	E	G	Average Ship Wt. Lbs.
7	15	8	5 5/16	1 1/2	8	8	15
8	20	9	9 15/16	2	12	11	25
9	26	13 1/2	11 15/16	3	15	14	37
10	26	13 1/2	11 15/16	3	15	14	37
12	30	15 1/2	13 15/16	3	17 1/2	14	50
14	36	16 1/2	17 15/16	4	22	18	84

ACCESSORIES

MODEL CWD	RECOMMENDED GRAVITY DAMPER		DAMPER MOTOR (LOOSE)	115 VOLT SPEED CONTROL	230 VOLT SPEED CONTROL
	OD	STOCK NO.	STOCK NO.	STOCK NO.	STOCK NO.
7	8 x 8	411008 ●	411611 ●	2727.1 ●	N/A
8	11 x 11	411011 ●	411611 ●	2727.1 ●	N/A
9	14 x 14	411014 ●	411611 ●	2727.1 ●	3232.1 ◆
10	14 x 14	411014 ●	411611 ●	2727.1 ●	3232.1 ◆
12	14 x 14	411014 ●	411611 ●	2727.1 ●	3232.1 ◆
14	18 x 18	411018 ●	411611 ●	2828.1 ●	3232.1 ◆

SPEED CONTROL 2727.1 MAX 1/3 HP-5 AMP 120V
2828.1 MAX 1/2 HP-10 AMP 120V

ALL DIMENSIONS IN INCHES, WEIGHTS IN POUNDS.

DUE TO CONTINUING RESEARCH, Jencofan RESERVES THE RIGHT TO CHANGE SPECIFICATIONS WITHOUT NOTICE.

Please refer to the General Catalog or contact the Factory for our Full Line of products available on standard shipping schedules.

ACCESSORIES

Solid State Speed Control:

Control is matched to the motor and blower wheel to allow continuous reduction in performance allowing adjustments of airflow for system balancing. CFM is reduced in direct proportion to motor speed reduction. Speed control is only available for single phase. Exhauster performance can be controlled from the ventilated area.

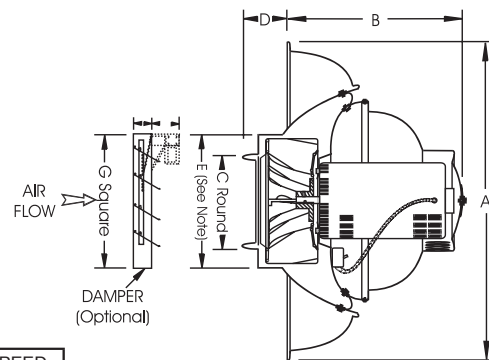
AMCA SEAL



Jencofan, Div. of Soler & Palau Ventilation Group, certifies that the Models CWD shown herein are licensed to bear the AMCA Seal. The ratings shown are based on test and procedures performed in accordance with AMCA Publication 211 and AMCA Publication 311 and comply with the requirement of the AMCA Certified Ratings Program.



LISTED POWER ROOF VENTILATOR
UL STANDARD 705



Ship Schedules:	
●	Next Day Shipment From Stock
▲	3 Day Shipment From Stock
◆	10 Day Shipment

MODEL CWD

Direct Drive Centrifugal Sidewall Exhauster

Ventilator with Open
Drip-proof Motor

Model CWD	Motor Hp	Max. BHp	RPM	Sones @ 1/8 SP	CFM at Static Pressure										115/1/60	208-230/1/60
					0	1/8	1/4	3/8	1/2	5/8	3/4	7/8	1	Stock No.	Stock No.	
7	1/25	0.04	1550	5.9	254	220	179	127	66	-	-	-	-	CWD07HH1AS ●	N/A	
8	1/15	0.07	1550	11.4	524	463	390	320	249	186	132	-	-	CWD08IH1AS ●	N/A	
9	1/4	0.12	1140	6.4	898	755	564	390	221	-	-	-	-	CWD09MM1AS ●	CWD09MM1CS ♦	
	1/4	0.26	1550	11.4	1221	1126	1009	894	771	645	545	-	-	CWD09MH1AS ●	CWD09MH1CS ♦	
10	1/3	0.33	1575	15.4	1453	1355	1252	1118	921	785	663	548	433	CWD10PH1AS ●	CWD10PH1CS ♦	
12	1/4	0.26	1100	10.6	1583	1393	1195	995	813	618	410	193	-	CWD12MM1AS ●	CWD12MM1CS ♦	
14	1/2	0.50	1080	15.7	2585	2454	2281	2040	1722	1433	1170	906	670	CWD14QM1AS ●	CWD14QM1CS ♦	

Speed (RPM) shown is nominal. Performance is based on actual speed of test.

Performance certified is for installation type A-free inlet, free outlet.

Performance ratings include the effects of birdscreen in the airstream.

The sound ratings shown are the loudness values in the fan sones @ 5' (1.5m) in an hemispherical free field calculated per AMCA Standard 301.

Installation Type A: free inlet hemispherical sone levels.

Performance Data at Reduced Speed

Model CWD	Motor Hp	Max. BHp	RPM	Sones @ 1/8 SP	CFM at Static Pressure									
					0	1/8	1/4	3/8	1/2	5/8	3/4	7/8	1	
7-1550	1/25	0.02	930	1.5	152	84	-	-	-	-	-	-	-	-
		0.02	1230	3.4	202	156	93	-	-	-	-	-	-	-
8-1550	1/15	0.02	930	3.5	320	209	98	-	-	-	-	-	-	-
		0.05	1225	6.4	421	339	251	167	-	-	-	-	-	-
9-1075	1/4	0.03	685	1.9	540	258	-	-	-	-	-	-	-	-
		0.08	940	4.3	741	554	330	-	-	-	-	-	-	-
9-1625	1/4	0.09	1030	5.6	811	651	467	313	-	-	-	-	-	
10-1625	1/3	0.10	1030	7.2	950	794	540	357	173	-	-	-	-	
12-1075	1/4	0.07	685	3.6	986	670	365	-	-	-	-	-	-	
		0.15	900	7.0	1296	1058	816	589	340	-	-	-	-	
14-1140	1/2	0.14	685	6.7	1640	1382	913	498	-	-	-	-	-	
		0.30	900	11.0	2154	1987	1730	1346	1028	711	390	-	-	

Model in reduced speed table indicates size and motor RPM of base unit.

Performance is for that base unit operated at a reduced speed using the solid state speed control accessory.

AMCA Seal for sound rating does not apply to units with speed control.

Use 5 AMP Speed Control for motors 1/3 HP and smaller.

Use 10 AMP Speed Control for motors 1/2.