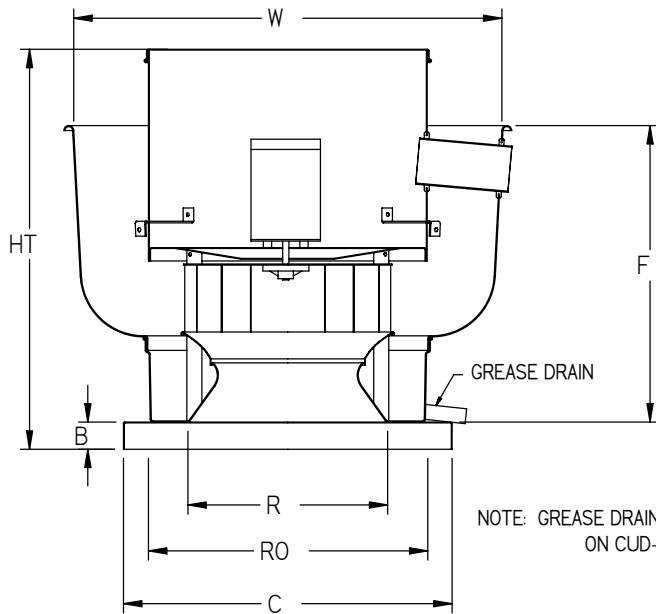


CUD SERIES UPBLAST EXHAUST FANS



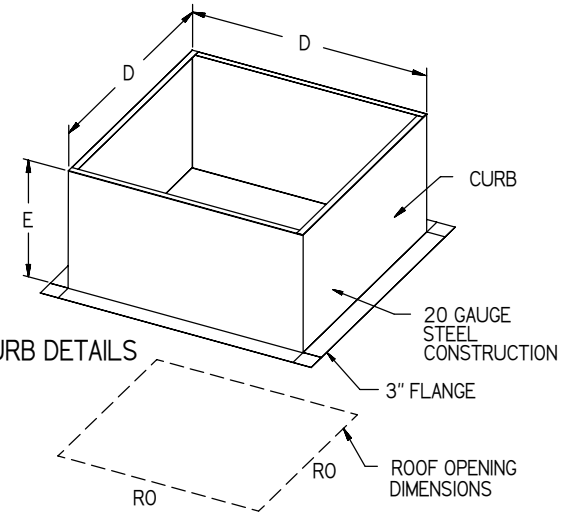
NOTE: GREASE DRAIN NOT REQ'D ON CUD-10

FEATURES:

- ROOF MOUNTED FANS
- UL705
- VARIABLE SPEED CONTROL
- INTERNAL WIRING
- WEATHERPROOF DISCONNECT
- THERMAL OVERLOAD PROTECTION (SINGLE PHASE)

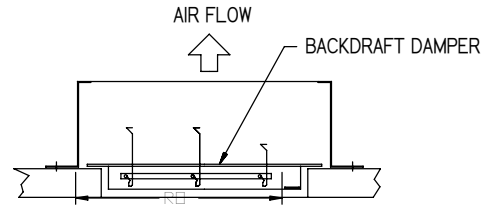
OPTIONS:

- BACKDRAFT DAMPER
- HINGED FAN
- PITCHED CURB
- INSULATED CURB
- BIRD SCREEN



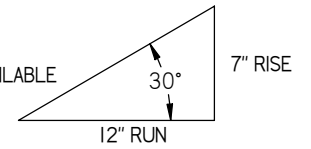
OPTIONAL ROOF CURB DETAILS

BACKDRAFT DAMPER INSTALLATION



ROOF OPENING

PITCHED CURBS ARE AVAILABLE FOR PITCHED ROOFS. SPECIFY PITCH:



EXAMPLE: 7/12 PITCH = 30° SLOPE


CUD DIRECT DRIVE CENTRIFUGAL UP-BLAST EXHAUST FANS DIMENSIONAL DATA

FAN MODEL	HT	W	B	C	F	R	RO	WEIGHT LB
CUD-10	14 1/2	17 3/4	2	19	9 1/2	8 1/8	13	30
CUD-12	18	22	2	19	14 1/2	10 5/8	13	40
CUD-30	25 1/4	25 1/2	2	21	18 1/2	12 1/8	16	50
CUD-33	25 1/4	25 1/2	2	21	18 1/2	12 1/8	16	50
CUD-50	27 1/4	28 7/8	2	21	21 1/2	13 1/4	16	55
CUD-85	30 1/2	31 7/8	2	24 3/4	23	14 7/8	20	60

CURB DIMENSIONAL DATA

FAN MODEL	D	E
CUD-10	17 1/2	12
CUD-12	17 1/2	12
CUD-30	19 1/2	12
CUD-33	19 1/2	12
CUD-50	19 1/2	12
CUD-85	23	12

DIMENSIONS SUBJECT TO CHANGE WITHOUT NOTICE. DRAWING NOT TO BE USED FOR CONSTRUCTION.

02 01		2010 FEB 20 10 46 AM		FREE		BY J. E. EVANS		13 MAR 2008		CUD GENERAL SUBMITTAL.dft		 <p>Better Airflow By Design</p> <p>UPBLAST ROOF EXHAUST FAN</p> <p>CUD SERIES DIRECT DRIVE SUBMITTAL</p>	