



P: 800.961.7370
www.solerpalau-usa.com

AUTOMATIC WALL SHUTTER- SINGLE OR DOUBLE PANEL MODEL EAS-RF

FEATURES

Frame

- .062 mill finish 6063T5 or T6 extruded aluminum.
- Welded and/or staked corners provide rigidity and durability.
- Integrated weather stripping incorporated into frame for additional strength and weather protection.
- Prepunched oblong mounting holes.
- Easy to motorize (optional motor pack model EAS).

Ratings

- Maximum recommended velocity is 2,500 FPM
Temperature - -40 F to 180 F

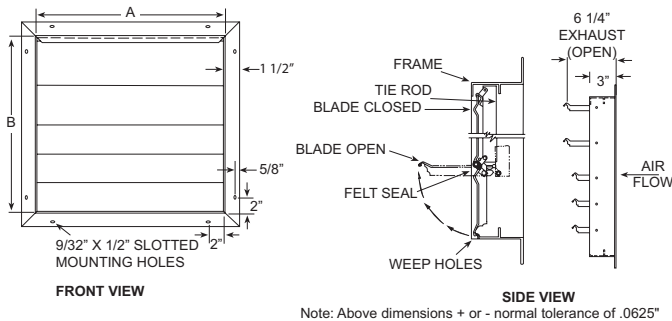
Options

- Motor packs

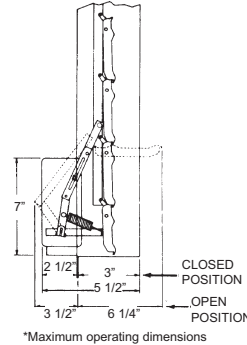
Blades

- 26 gauge 3105 mill finish aluminum.
- Galvanized reinforcement strip across top of blade for added strength and counter balancing and efficiency.
- Felt seal on leading edge of blade for tight closure and quiet operation.
- Flanged ends of blades provide additional weather seal protection.
- Center-mounted galvanized steel tie-rod connects blades for uniform opening and closing.
- 304 stainless steel pivot pins, rivets and bushings.
- Opens freely to allow full 90 degree opening and closing.
- Counter balanced blades allow shutter to be mounted vertically to 45 degrees.

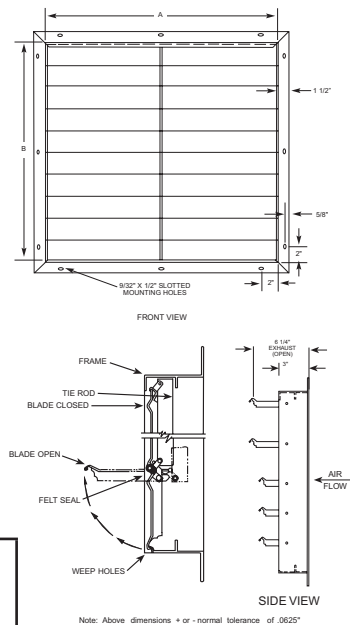
Single Panel



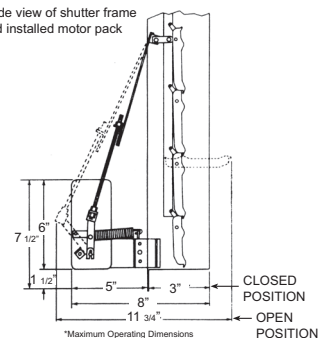
*Side view of shutter frame and installed motor pack



Double Panel



*Side view of shutter frame and installed motor pack



Dimensions in Inches

Part No.	Inside Frame Dimensions (W x H)	Overall Frame Dimensions (W x H)	Required Hole Opening (W x H)	Face Area (Sq. Ft.)	Est. Free Area (Sq. Ft.)	No. of Panels	Est. Shipping Weight (lbs)
EAS12-RF	12 x 12	15 x 15	12.5 x 12.5	1.00	.79	1	4.5
EAS16-RF	16 x 16	19 x 19	16.5 x 16.5	1.78	1.44	1	6.5
EAS20-RF	20 x 20	23 x 23	20.5 x 20.5	2.78	2.28	1	8.5
EAS24-RF	24 x 24	27 x 27	24.5 x 24.5	4.00	3.32	1	11
EAS30-RF	30 x 30	33 x 33	30.5 x 30.5	6.25	5.16	1	15
EAS36-RF	36 x 36	39 x 39	36.5 x 36.5	9.00	7.44	1	19
EAS42-RF	42 x 42	45 x 45	42.5 x 42.5	12.25	10.25	2	23
EAS48-RF	48 x 48	51 x 51	48.5 x 48.5	16.00	12.92	2	27.5

Note: Dimensions are approximate due to normal tolerances in the manufacturing process. Estimated Free Area calculation is based upon the following formula: $MD[A+B+(N \times C)]/144$. Free Area x FPM = CFM; actual performance may vary.

